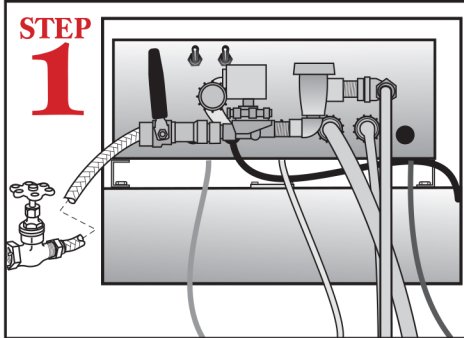
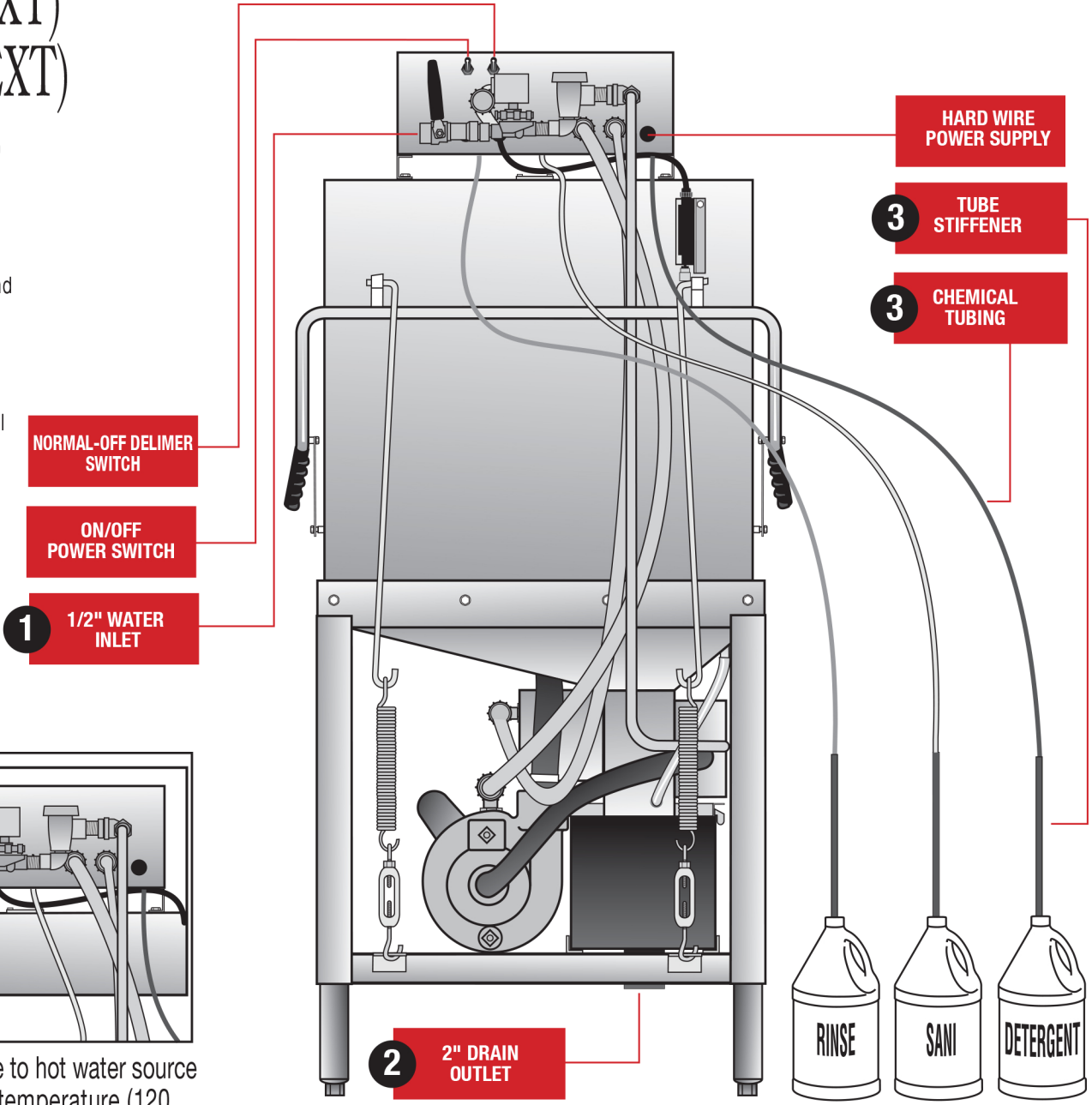


# Models EST-AH, EST-C EST-AH-(EXT) & EST-C-(EXT) Quick Setup Instructions

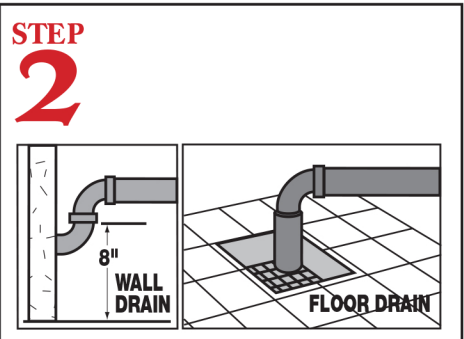
MODEL EST REAR VIEW



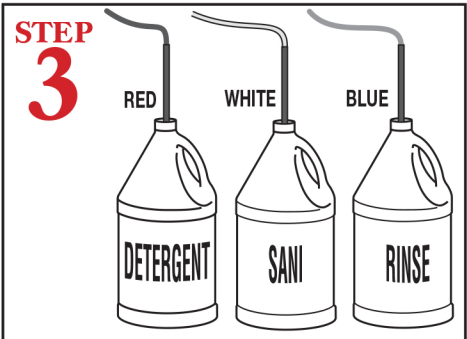
**WARNING:** Electrical and plumbing connections need to be made by a licensed service person and comply with all Federal, State and Local Health, Electrical, Plumbing and Safety codes.



Connect dishmachine to hot water source recommended 140 temperature (120 minimum temperature required).



Connect a 2" drain pipe (not supplied) from scrap accumulator to floor or wall drain.



Insert tube stiffener with chemical tubing into each corresponding chemical dispensers.

PN: 10130.13

11-2016

