



MODEL E ENERGY SAVER
LOW WATER
MACHINES

USES ONLY
1.01
Gallons Of Water
Per Cycle!



MODEL E
AVAILABLE IN STRAIGHT
AND CORNER MODEL



OPTIONAL 3 DOOR
MODEL AVAILABLE
FOR STRAIGHT AND
CORNER OPERATION



MODEL E EXT
WITH 20-1/2" DOOR OPENING
AVAILABLE IN STRAIGHT
AND CORNER MODEL

FEATURES AND FACTS:

- **Energy Star Qualified.**
- 40 racks / 160 covers per hour.
- Economical to operate. **Uses only 1.01 gallons of water per cycle.**
- All stainless steel construction assures long life and years of trouble free operation.
- Unique spray arm system features upper and lower stainless steel wash arms with reinforced end caps.
- Top mounted controls include built-in chemical pumps and delimiting system for dealing with scale.
- Auto start/stop makes operation safe and easy.
- New integrated scrap tray prevents food soil from entering drain system.
- Airgap fill system.

CONVERTIBLE CORNER TO STRAIGHT AND STRAIGHT TO CORNER.

Available Options

- Sanitizer Alarm
- Alternative cycle times
- Pull Pins
- Stainless Steel Scrap Trap Up Grade
- The "TEMP-SURE" requires a separate 208-240v 3 phase 40 amp power supply
- 3 Doors open
- Extended (Tall) version



800.577.6202 • www.BCIchem.com



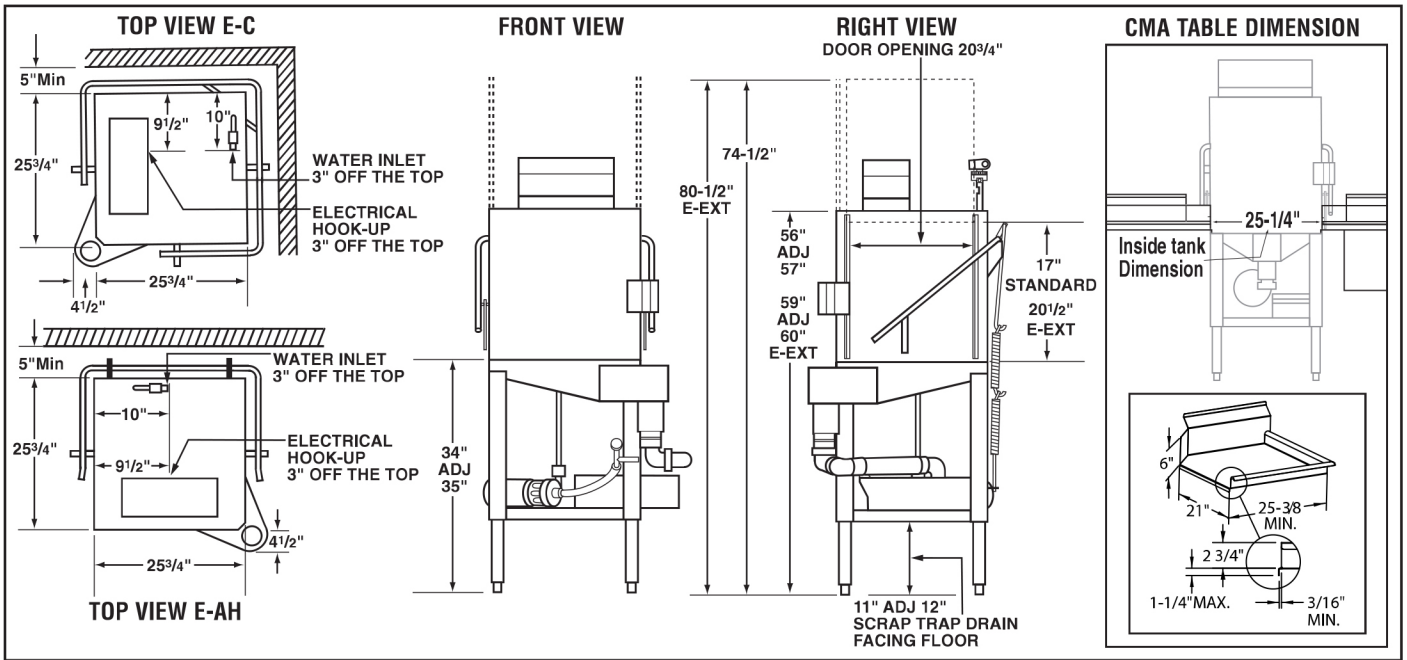


MODEL E ENERGY SAVER

LOW WATER MACHINES

WARNINGS:

- Plumbing connections must be made by a qualified service company who will comply with all available Federal, State, and Local Health, Plumbing and Safety codes.
- CMA recommends utilizing a water softening system to maintain water hardness measurements of 3.5 gpg (grains per gallon) or less. This will assure maximum results and optimum operation of the dishmachine.



Specifications:

| MODEL E/E-3/E-EXT | USA | METRIC | USA | METRIC |
|------------------------------|-----------|-----------|-------------------------------------|---------------------------|
| OPERATING CAPACITY | | | WASH PUMP MOTORS HP | 1 |
| RACKS PER HOUR (NSF RATED) | 40 | 40 | DIMENSIONS | |
| OPERATING CYCLE | | | DEPTH | 25-3/4" (65.4cm) |
| WASH TIME-SEC | 45 | 45 | WIDTH (OUTSIDE DIMENSION) | 25-3/4" (65.4cm) |
| RINSE TIME-SEC | 30 | 30 | HEIGHT | 56"-57" (142.2cm-144.8cm) |
| DWELL TIME-SEC | 15 | 15 | E-EXT | 59"-60" (150cm-152cm) |
| TOTAL CYCLE TIME | 90 | 90 | STANDARD TABLE HEIGHT | 34" (86cm) |
| PUMP CAPACITY | 52 GPM | (197 LPM) | MAXIMUM CLEARANCE FOR DISHES | 17" (43cm) |
| OPERATING TEMPERATURE | | | E-EXT | 20-1/2" (52cm) |
| REQUIRED | 120°F | (49°C) | STANDARD DISHRACK DIMENSIONS | 19-3/4"X19-3/4" (50X50cm) |
| RECOMMENDED | 140°F | (60°C) | ELECTRICAL RATING | VOLTS |
| WATER CONSUMPTION | | | | 115 |
| PER RACK | 1.01 GAL. | (13.79 L) | SHIPPING WEIGHT | |
| PER HOUR | 37 GPH | (139 LPH) | APPROXIMATE | 218# (98.7kg) |
| WATER REQUIREMENTS | | | E-EXT L | 260# (117.8kg) |
| WATER INLET | 1/2" | (1.27cm) | | |
| DRAIN-I.P.S. | 2" | (5.1cm) | | |

Summary Specifications: Model E/E-3/E-EXT

CMA Energy Miser model E/E-3/E-EXT (Extended 20-1/2" door opening) low temperature, chemical sanitizing commercial dishwashers meet ETL, UL, and CUL sanitation and construction standards WITHOUT the use of BOOSTER or TANK HEATERS. The model E/E-3/E-EXT is constructed entirely of stainless steel. Each unit automatically washes, rinses and sanitizes utensils in standard 19-3/4"x19-3/4" racks. Units come with standard upper and lower stainless steel wash arms. **Note: This machine does not have built-in heaters, therefore produces no steam.**

Advisory: CMA does NOT endorse "Tankless On-Demand" water heaters for use on CMA Dishmachine products. CMA DOES endorse, and highly recommends, the standard "tank" style water heaters, sized properly to handle each particular facility with their water heating requirements.



800.577.6202 • www.BCIchem.com