



# CHEMICAL SANITIZING UNDERCOUNTER GLASSWASHER

## GL-X

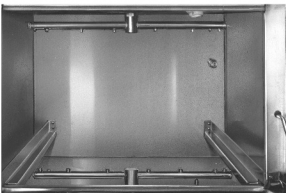
Low Temperature Undercounter Glasswasher



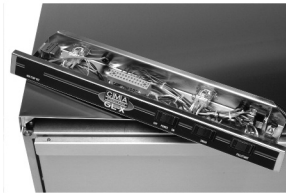
### FEATURES

- 30 racks per hour.
- Large 11-1/4" door opening.
- Economical to operate. Uses only 1.7 gallons of water per cycle.
- All stainless steel construction assures long life and years of trouble free operation.
- Unique spray arm system features upper and lower stainless steel wash arms with reinforced end caps.
- Built-in chemical pumps and deliming system assures proper chemical usage.
- Convenient to service "Works-in-a-drawer". All electrical components are attached to a sliding drawer for easy access and service.
- Instant start for simple operation.
- Pumped drain allows for flexible installations. No floor drain required.
- Wash tank sustainer heater keeps water at proper temperature between loads.
- Stainless Steel Legs 4" (set of 4).
- Uses standard 19-3/4"-19-3/4" racks.

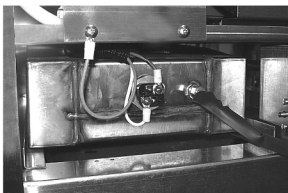
### CMA MODEL: GL-X



Upper and lower rotating wash arms guarantee excellent results.



"Works-in-a-drawer." All electrical components are attached to a sliding drawer for easy access and service.



Built-In Hot Water Assurance System provides hot water every cycle.

### AVAILABLE OPTIONS

- Low Chemical Alarm
- Drain Board
- CMA TEMP-SURE

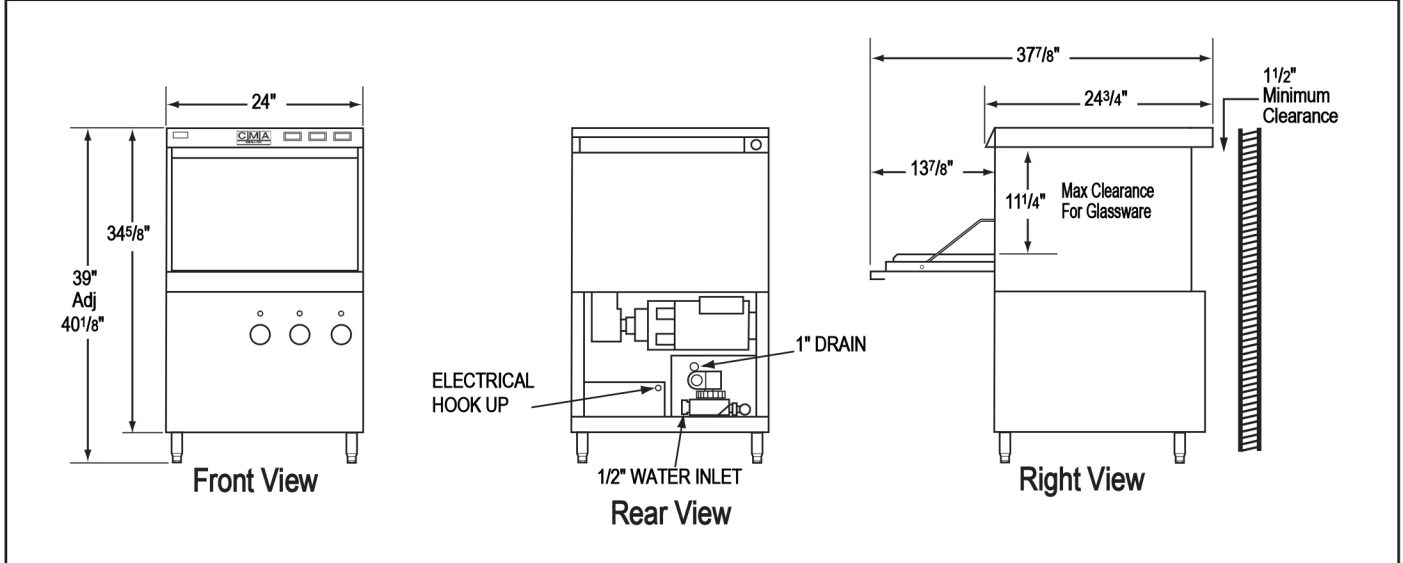




**GL-X**  
Chemical Sanitizing  
Glasswasher

**WARNINGS:**

- Plumbing connections must be made by a qualified service company who will comply with all available Federal, State, and Local Health, Plumbing and Safety codes.
- CMA recommends utilizing a water softening system to maintain water hardness measurements of 3.5 gpg (grains per gallon) or less. This will assure maximum results and optimum operation of the dishmachine.



**Specifications:**

MODEL GL-X	USA	METRIC	USA	METRIC
OPERATING CAPACITY RACKS PER HOUR	30	30		
OPERATING CYCLE				
WASH TIME-SEC	58	58		
RINSE TIME-SEC	32	32		
DWELL/TIME-SEC	30	30		
TOTAL CYCLE TIME	120	120		
WASH TANK CAPACITY	1.7 GAL.	(6.45 L)		
WASH PUMP CAPACITY	35 GPM	(132 LPM)		
MINIMUM TEMPERATURE REQUIRED				
WASH TEMP.	120°F	(50°C)		
WATER CONSUMPTION				
PER RACK	1.7 GAL.	(6.45 L)		
PER HOUR	51 GPH	(193 LPH)		
WATER INLET	1/2"	(1.27 cm)		
DRAIN	1"	(2.54cm)		
WASH PUMP MOTOR HP			1	1
DIMENSIONS				
DEPTH			24-3/4"	(63cm)
WIDTH			24"	(61cm)
HEIGHT			39"-40-1/8"	(99-102cm)
MAXIMUM CLEARANCE FOR GLASSWARE			11-1/4"	(28.57cm)
STANDARD DISHRACK			1	1
DIMENSIONS			20" x 20"	(50.8 X 50.8cm)
ELECTRICAL RATING			VOLTS	AMPS
			115	16
APPROXIMATE SHIPPING WEIGHT			202#	(92kg)
SHIPPING DIMENSIONS			PALLET & BOX @ 29" X 28" X 42"	

**Summary Specifications: Model GL-X**

The GL-X glasswasher is a low temperature undercounter dishmachine designed to produce sparkling clean glassware utilizing our unique Hot Water Assurance System. The GL-X is easy to use, fast and efficient, while conserving water, energy and chemicals. Built-in sustainer heater provides continuous 130°F hot water every cycle. The GL-X is constructed entirely of stainless steel and is equipped with an integrated chemical delivery system. The GL-X incorporates a pump purging system that improves results by eliminating soil and chemical carryover during rinse cycle.

**Advisory:** CMA does NOT endorse "Tankless On-Demand" water heaters for use on CMA Dishmachine products. CMA DOES endorse, and highly recom-mends, the standard "tank" style water heaters, sized properly to handle each particular facility with their water heating requirements.

